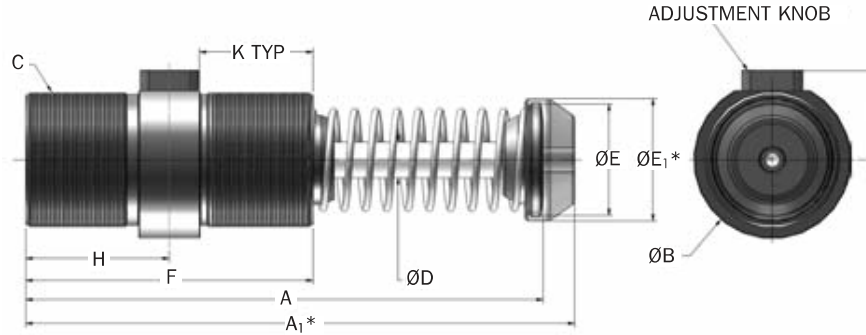


Technical Data

OEM 3.0M → OEM 4.0M Series

Standard



*Note: A₁ and E₁ apply to urethane striker cap accessory.

Catalog No./Model	(S) Stroke in. (mm)	Optimal Velocity Range in./sec. (mm)	(E _T) Max. in.-lbs./cycle (m/s)	(E _T C) Max. in.-lbs./hour (Nm/h)	(F _P) Max. Reaction Force lbs. (N)	Nominal Coil Spring Force		(F _D) Max. Propelling Force lbs. (N)	Weight (mass) lbs. (Kg)
						Extended lbs. (N)	Compressed lbs. (N)		
OEM 3.0M x 2	2.0 (50)	12-170 (0,3-4,3)	20,000 (2 300)	3,290,000 (372 000)	15,000 (67 000)	25 (110)	45 (200)	2,700 (12 000)	15.5 (7,0)
OEM 3.0M x 3.5	3.5 (90)	12-170 (0,3-4,3)	35,000 (4 000)	5,770,000 (652 000)	15,000 (67 000)	25 (110)	45 (200)	2,700 (12 000)	20.0 (9,1)
OEM 3.0M x 5	5.0 (125)	12-170 (0,3-4,3)	50,000 (5 700)	8,260,000 (933 000)	15,000 (67 000)	16 (71)	45 (200)	2,700 (12 000)	24.0 (10,9)
OEM 3.0M x 6.5	6.5 (165)	12-170 (0,3-4,3)	65,000 (7 300)	10,750,000 (1 215 000)	15,000 (67 000)	27 (120)	75 (330)	2,700 (12 000)	30.0 (13,6)
OEM 4.0M x 2	2.0 (50)	12-170 (0,3-4,3)	34,000 (3 800)	13,300,000 (1 503 000)	25,000 (111 000)	50 (225)	65 (290)	4,800 (21 000)	33.0 (15,0)
OEM 4.0M x 4	4.0 (100)	12-170 (0,3-4,3)	68,000 (7 700)	16,000,000 (1 808 000)	25,000 (111 000)	35 (155)	65 (290)	4,800 (21 000)	40.0 (18,2)
OEM 4.0M x 6	6.0 (150)	12-170 (0,3-4,3)	102,000 (11 500)	18,600,000 (2 102 000)	25,000 (111 000)	30 (135)	70 (310)	4,800 (21 000)	44.0 (20,0)
Δ OEM 4.0M x 8	8.0 (200)	12-170 (0,3-4,3)	136,000 (15 400)	21,300,000 (2 407 000)	25,000 (111 000)	40 (180)	80 (355)	4,800 (21 000)	66.0 (30,0)
Δ OEM 4.0M x 10	10.0 (250)	12-170 (0,3-4,3)	170,000 (19 200)	24,000,000 (2 712 000)	25,000 (111 000)	30 (135)	80 (355)	4,800 (21 000)	73.0 (33,0)

Note: Δ = Non-standard lead time items, contact ITT Enidine.

Catalog No./Model	A in. (mm)	A ₁ in. (mm)	B in. (mm)	C in. (mm)	D in. (mm)	E in. (mm)	E ₁ in. (mm)	F in. (mm)	H in. (mm)	J in. (mm)	K in. (mm)
OEM 3.0M x 2	9.66 (245)	10.43 (265)	3.88 (98)	M85 x 2	0.88 (22)	2.75 (69)	3.00 (76)	5.53 (140)	2.77 (70)	2.25 (58)	2.02 (51)
OEM 3.0M x 3.5	12.72 (323)	13.49 (343)	3.88 (98)	M85 x 2	0.88 (22)	2.75 (69)	3.00 (76)	7.06 (179)	3.53 (90)	2.25 (58)	2.78 (71)
OEM 3.0M x 5	15.72 (399)	16.49 (419)	3.88 (98)	M85 x 2	0.88 (22)	2.75 (69)	3.00 (76)	8.50 (217)	4.28 (109)	2.25 (58)	2.78 (71)
OEM 3.0M x 6.5	19.46 (494)	20.23 (514)	3.88 (98)	M85 x 2	0.88 (22)	3.19 (81)	3.19 (81)	10.06 (256)	5.03 (128)	2.25 (58)	2.78 (71)
OEM 4.0M x 2	12.32 (313)	13.20 (335)	5.00 (127)	M115 x 2	1.38 (35)	3.50 (88)	3.75 (95)	8.00 (203)	4.00 (102)	2.89 (74)	3.13 (80)
OEM 4.0M x 4	16.32 (414)	17.20 (436)	5.00 (127)	M115 x 2	1.38 (35)	3.50 (88)	3.75 (95)	10.00 (254)	5.00 (127)	2.89 (74)	4.13 (105)
OEM 4.0M x 6	20.32 (516)	21.20 (538)	5.00 (127)	M115 x 2	1.38 (35)	3.50 (88)	3.75 (95)	12.00 (305)	6.00 (153)	2.89 (74)	4.25 (108)
OEM 4.0M x 8	25.32 (643)	26.20 (665)	5.00 (127)	M115 x 2	1.38 (35)	3.50 (88)	3.75 (95)	14.00 (356)	7.00 (178)	2.89 (74)	4.25 (108)
OEM 4.0M x 10	29.32 (745)	30.20 (767)	5.00 (127)	M115 x 2	1.38 (35)	3.50 (88)	3.75 (95)	16.00 (406)	8.00 (203)	2.89 (74)	4.25 (108)

Notes: 1. All shock absorbers will function satisfactorily at 5% of their maximum rated energy per cycle. If less than 5%, a smaller model should be specified.

2. For mounting accessories, see pages 32.

3. Rear flange mounting of OEM 3.0M x 6.5, OEM 4.0M x 8 and OEM 4.0M x 10 models not recommended when mounting horizontally.

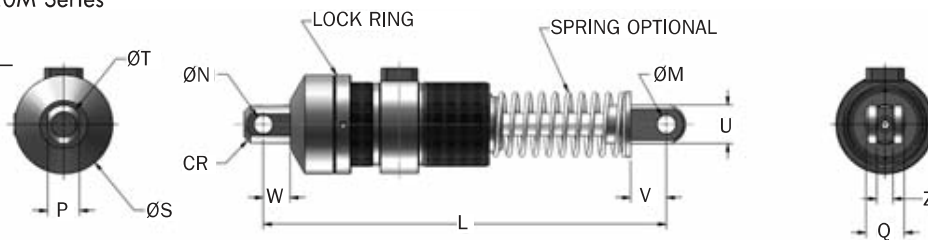
Adjustable Series Hydraulic Shock Absorbers

OEM Mid-Bore Series

OEM 3.0M → OEM 4.0M Series

Accessories

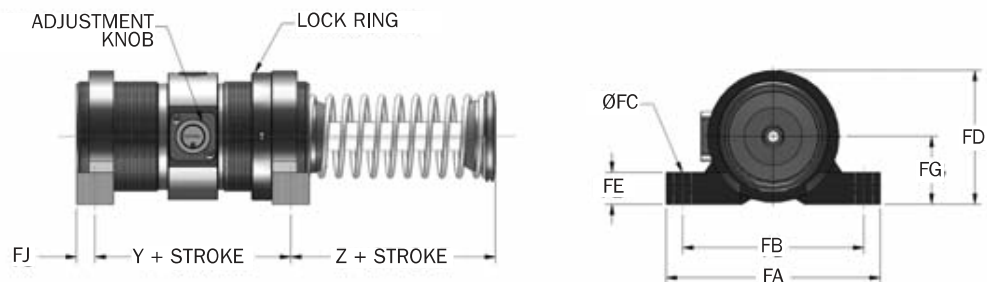
Clevis Mount



Catalog No./Model	(S) Stroke in. (mm)	L in. (mm)	M in. (mm)	N in. (mm)	P in. (mm)	Q in. (mm)	S in. (mm)	T in. (mm)	U in. (mm)	V in. (mm)	W in. (mm)	Z in. (mm)	CR in. (mm)	Weight (mass) lbs. (kg)
ΔOEM 3.0M x 2 CM(S)	2.0 (50)	12.81 (325,0)	.751 (19,07) (+0,25/0)	.751 (19,07) (+0,25/0)	1.250 (31,7) (0/-0,3)	1.50 (38,1) (+0,8/-0,8)	3.88 (98,0)	1.50 (38,1)	1.50 (38,1)	1.40 (36,0)	1.06 (26,0)	.640 (16,3) (+0,25/-0,25)	.90 (23,0)	19.1 (8,66)
ΔOEM 3.0M x 3.5 CM(S)	3.5 (90)	15.84 (402,0)	.751 (19,07) (+0,25/0)	.751 (19,07) (+0,25/0)	1.250 (31,7) (0/-0,3)	1.50 (38,1) (+0,8/-0,8)	3.88 (98,0)	1.50 (38,1)	1.50 (38,1)	1.40 (36,0)	1.06 (26,0)	.640 (16,3) (+0,25/-0,25)	.90 (23,0)	23.6 (10,70)
ΔOEM 3.0M x 5 CM(S)	5.0 (125)	18.84 (479,0)	.751 (19,07) (+0,25/0)	.751 (19,07) (+0,25/0)	1.250 (31,7) (0/-0,3)	1.50 (38,1) (+0,8/-0,8)	3.88 (98,0)	1.50 (38,1)	1.50 (38,1)	1.40 (36,0)	1.06 (26,0)	.640 (16,3) (+0,25/-0,25)	.90 (23,0)	27.6 (12,52)
ΔOEM 3.0M x 6.5 CM(S)	6.5 (165)	22.59 (574,0)	.751 (19,07) (+0,25/0)	.751 (19,07) (+0,25/0)	1.250 (31,7) (0/-0,3)	1.50 (38,1) (+0,8/-0,8)	3.88 (98,0)	1.50 (38,1)	1.50 (38,1)	1.40 (36,0)	1.06 (26,0)	.640 (16,3) (+0,25/-0,25)	.90 (23,0)	33.6 (15,24)
ΔOEM 4.0M x 2 CM(S)	2.0 (50)	17.00 (432,0)	1.001 (25,42) (+0,25/0)	1.001 (25,42) (+0,25/0)	1.500 (38,1) (0/-0,3)	3.56 (90,5)	5.00 (127,0)	2.25 (57,2)	2.00 (51,0)	2.00 (51,0)	1.75 (44,0)	1.505 (38,2) (+0,5/0)	1.35 (35,0)	42.4 (19,23)
ΔOEM 4.0M x 4 CM(S)	4.0 (100)	21.00 (533,0)	1.001 (25,42) (+0,25/0)	1.001 (25,42) (+0,25/0)	1.500 (38,1) (0/-0,3)	3.56 (90,5)	5.00 (127,0)	2.25 (57,2)	2.00 (51,0)	2.00 (51,0)	1.75 (44,0)	1.505 (38,2) (+0,5/0)	1.35 (35,0)	49.4 (22,41)
ΔOEM 4.0M x 6 CM(S)	6.0 (150)	25.00 (635,0)	1.001 (25,42) (+0,25/0)	1.001 (25,42) (+0,25/0)	1.500 (38,1) (0/-0,3)	3.56 (90,5)	5.00 (127,0)	2.25 (57,2)	2.00 (51,0)	2.00 (51,0)	1.75 (44,0)	1.505 (38,2) (+0,5/0)	1.35 (35,0)	53.4 (24,22)
ΔOEM 4.0M x 8 CM(S)	8.0 (200)	30.00 (762,0)	1.001 (25,42) (+0,25/0)	1.001 (25,42) (+0,25/0)	1.500 (38,1) (0/-0,3)	3.56 (90,5)	5.00 (127,0)	2.25 (57,2)	2.00 (51,0)	2.00 (51,0)	1.75 (44,0)	1.505 (38,2) (+0,5/0)	1.35 (35,0)	75.4 (34,20)
ΔOEM 4.0M x 10 CM(S)	10.0 (250)	34.00 (864,0)	1.001 (25,42) (+0,25/0)	1.001 (25,42) (+0,25/0)	1.500 (38,1) (0/-0,3)	3.56 (90,5)	5.00 (127,0)	2.25 (57,2)	2.00 (51,0)	2.00 (51,0)	1.75 (44,0)	1.505 (38,2) (+0,5/0)	1.35 (35,0)	82.4 (37,37)

Notes: 1. "S" indicates model is supplied with spring. 2. Δ = Non-standard lead time items, contact ITT Enidine.

Flange Foot Mount



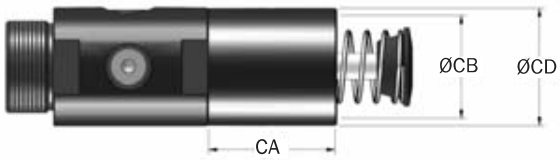
Catalog No./Model	Part Number	Model (Ref)	J in. (mm)	Y in. (mm)	Z in. (mm)	FA in. (mm)	FB in. (mm)	FC in. (mm)	FD in. (mm)	FE in. (mm)	FG in. (mm)	FJ in. (mm)	FK in. (mm)	Bolt Size in. (mm)	Weight (mass) lbs. (kg)	Notes
FM M85 x 2	2F3330	OEM 3.0M	2.25	3.19	2.32	6.50	5.50	.53	4.06	1.00	2.06	0.57	1.13	1/2	6.9	1
		OEM 3.0M	(58)	(81,0)	(59,0)	(165,0)	(139,7)	(13,5)	(103,0)	(25,4)	(52,3)	(14,1)	(28,7)	(M12)	(1 984)	1
FM M115 x 2	2F3720	OEM 4.0M	2.82	7.50	1.44	8.00	6.50	.65	5.88	1.50	3.13	0.63	2.50	5/8	8.6	2
		OEM 4.0M	(74)	(190,5)	(37,0)	(203,2)	(165,0)	(16,8)	(149,4)	(38,0)	(79,5)	(16,0)	(50,8)	(M16)	(3 900)	2

Notes:
1. OEM 3.0M x 6.5, Z dimension is 77,7mm.
2. OEM 4.0M x 8 and 4.0M x 10M, Z dimension is 62,0mm.
3. For rear foot mount, dimension FJ is 22,4mm.

Accessories

Stop Collar (SC)

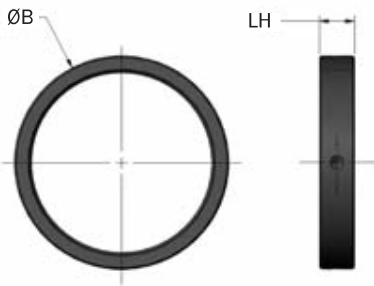
(LR)OEM 3/4 → (LR)OEM 2.0M



Catalog No./Model	Part Number	Model (Ref)	CA in. (mm)	CB in. (mm)	CD in. (mm)	Weight (mass) oz. (g)
Δ SC 1 3/4 - 12	8KE2940	(LR)OEMXT 3/4	1.94 (49,0)	1.94 (49,0)	2.22 (56,5)	12.0 (340)
Δ SC M2 1/2 - 12*						
Δ SC 2 1/2 - 12 x 2	8KE3010	(LR)OEMXT 1 1/8 x 2 & 4	2.47 (63,0)	2.54 (65,0)	3.00 (76,0)	23.0 (652)
Δ SC M2 1/2 - 12 x 2						
Δ SC 2 1/2 - 12 x 6	8KE3012	OEMXT 1 1/8 x 6	3.66 (93,0)	2.54 (65,0)	3.00 (76,0)	33.0 (936)
Δ SC M42 x 1.5 x 1	8K2940	(LR)OEMXT 1.5M x 1	2.44 (62,0)	1.94 (49,0)	2.22 (56,0)	14.0 (397)
Δ SC M42 x 1.5 x 2	8K2941	(LR)OEMXT 1.5M x 2	2.94 (75,0)	1.94 (49,0)	2.22 (56,0)	19.0 (539)
Δ SC M42 x 1.5 x 3	8K2942	OEMXT 1.5M x 3	3.44 (87,0)	1.94 (49,0)	2.22 (56,0)	23.0 (652)
Δ SC M64 x 2 x 2	8K3010 M93010057	(LR)OEMXT 2.0M x 2	3.50 (89,0)	2.54 (65,0)	3.00 (76,0)	33.0 (936)
Δ SC M64 x 2 x 4	8K3011 M93011057	OEMXT 2.0M x 4	4.50 (114,0)	2.54 (65,0)	3.00 (76,0)	42.0 (1191)
Δ SC M64 x 2 x 6	8K3012 M93012057	OEMXT 2.0M x 6	5.63 (143,0)	2.54 (65,0)	3.00 (76,0)	52.0 (1475)

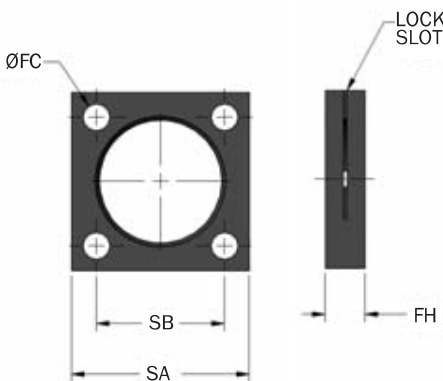
Notes: 1. * Do not use with urethane striker cap. 2. Δ = Non-standard lead time items, contact ITT Enidine.

Lock Ring (LR)



Catalog No./Model	Part Number	Model (Ref)	B in. (mm)	LH in. (mm)	Weight (mass) oz. (g)
LR 1 3/4 - 12	F8E2940049	(LR)OEMXT 3/4	2.00 (50,8)	.38 (9,5)	2.0 (57)
LR 2 1/2 - 12	F8E3010049	(LR)OEMXT 1 1/8	2.88 (73,0)	.38 (9,5)	3.0 (85)
LR M42 x 1.5	F82940049	(LR)OEMXT 1.5M	2.00 (50,8)	.38 (9,6)	3.0 (85)
LR M64 x 2	F83010049	(LR)OEMXT 2.0M	2.88 (73,0)	.50 (12,7)	4.0 (114)
LR M85 x 2	F83330049	(LR)OEM 3.0M	3.88 (98,2)	.63 (16,0)	8.0 (226)
LR M115 x 2	F83720049	(LR)OEM 4.0M	5.00 (126,7)	.88 (22,4)	14.0 (397)

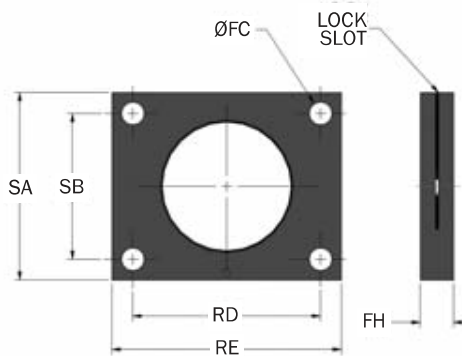
Square Flange (SF)



Catalog No./Model	Part Number	Model (Ref)	FC in. (mm)	FH in. (mm)	SA in. (mm)	SB in. (mm)	Bolt Size in. (mm)	Weight (mass) oz. (g)
SF 1 3/4 - 12	M4E2940056	(LR)OEMXT 3/4	.34 (8,6)	.50 (12,7)	2.25 (57,2)	1.63 (41,4)	5/16 (M8)	5.0 (140)
SF 2 1/2 - 12	M4E3010056	(LR)OEMXT 1 1/8	.41 (10,4)	.62 (15,7)	3.50 (90,0)	2.75 (89,0)	3/8 (M10)	20.0 (570)
SF M42 x 1.5	M42940056	(LR)OEMXT 1.5M	.34 (8,6)	.50 (12,7)	2.25 (57,2)	1.63 (41,4)	5/16 (M8)	5.0 (140)
SF M64 x 2	M43010056	(LR)OEMXT 2.0M	.41 (10,4)	.62 (15,7)	3.50 (90,0)	2.75 (89,0)	3/8 (M10)	20.0 (570)
SF M85 x 2	M43330056	OEM 3.0M	.53 (13,5)	.75 (19,0)	4.00 (101,6)	3.00 (76,2)	1/2 (M13)	24.0 (680)
SF M115 x 2	M43720056	OEM 4.0M	.65 (16,5)	1.00 (25,4)	5.50 (139,7)	4.38 (111,3)	5/8 (M16)	56.0 (1590)

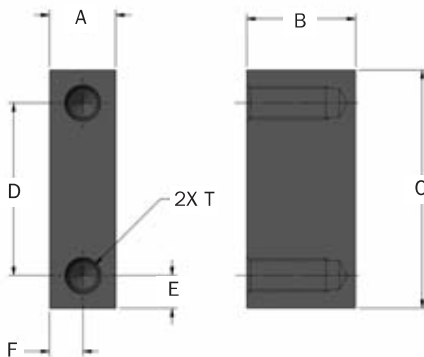
Accessories

Rectangular Flange (RF)



Catalog No./ Model	Part Number	Model (Ref)	FC in. (mm)	FH in. (mm)	RD in. (mm)	RE in. (mm)	SA in. (mm)	SB in. (mm)	Bolt Size in. (mm)	Weight (mass) oz. (g)
RF 1 3/4 -12	M5E2940053	(LR)OEMXT 3/4	.34 (8,6)	.50 (12,7)	2.38 (60,5)	3.00 (76,2)	2.25 (57,2)	1.63 (41,4)	5/16 (M8)	9.0 (260)
RF M42 x 1.5	M52940053	(LR)OEMXT 1.5M	.34 (8,6)	.50 (12,7)	2.38 (60,5)	3.00 (76,2)	2.25 (57,2)	1.63 (41,4)	5/16 (M8)	9.0 (260)
RF M85 x 2	M53330053	OEM 3.0M	.53 (13,5)	.75 (19,1)	4.00 (101,6)	5.00 (127,0)	4.00 (101,6)	3.00 (76,2)	1/2 (M13)	37.0 (1 040)

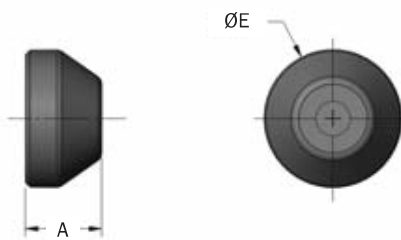
Stop Bar Kit



Kit Part Number	Model (Ref)	A in. (mm)	B in. (mm)	C in. (mm)	D in. (mm)	E in. (mm)	F in. (mm)	T in. (mm)	Bolt Size in. (mm)	Weight (mass) oz. (g)
ΔT58706300	OEMXT 3/4	.63 (16,0)	1.03 (26,2)	2.25 (57,2)	1.63 (41,4)	.31 (7,9)	.32 (8,1)	5/16 - 24 UNF x 3/4 DEEP	5/16	6.1 (173)
ΔT52940300		.63 (16,0)	1.03 (26,2)	2.25 (57,2)	1.63 (41,4)	.31 (7,9)	.32 (8,1)			
ΔT58650300	OEMXT 1 1/8	.63 (12,7)	1.42 (36,1)	3.50 (88,9)	2.75 (69,9)	.38 (9,7)	.32 (8,1)	3/8 - 24 UNF x 3/4 DEEP	3/8	10.5 (298)
ΔT53010300		.63 (12,7)	1.42 (36,1)	3.50 (88,9)	2.75 (69,9)	.38 (9,7)	.32 (8,1)			

Notes: 1. Kit includes 2 Stop Bars, Rectangular Flange for OEM 3/4 and 1.5, Square Flange for 1 1/8 and 2.0 and Lock Ring.
2. Δ = Non-standard lead time items, contact ITT Enidine.

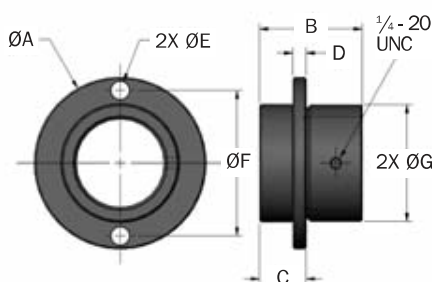
Urethane Striker Cap (UC)



Catalog No./ Model	Part Number	Model (Ref)	A in. (mm)	E1 in. (mm)	Weight (mass) oz. (g)
UC 2940	C92940079	(LR)OEMXT 3/4	.97 (24,5)	1.75 (44,5)	0.5 (14)
UC 3010	C93010079	(LR)OEMXT 1 1/8	.95 (24,1)	2.25 (57,0)	0.8 (23)
UC 2940	C92940079	(LR)OEMXT 1.5M	.97 (24,5)	1.75 (44,5)	0.5 (14)
UC 3010	C93010079	(LR)OEMXT 2.0M	.95 (24,1)	2.25 (57,0)	0.8 (23)
UC 3330	C93330079	OEM 3.0M	1.22 (31,4)	3.00 (76,0)	3.0 (85)
UC 3720	C93720079	OEM 4.0M	1.47 (37,5)	3.75 (95,0)	6.0 (170)

Notes: For complete shock absorber dimension with urethane striker cap, refer to engineering data, pages 27-31.

Stop Collar With Flange (SCF)



Catalog No./ Model	Part Number	Model (Ref)	A in. (mm)	B in. (mm)	C ±.002 in. (mm)	D in. (mm)	E in. (mm)	F in. (mm)	G in. (mm)	Bolt Size in. (mm)	Weight (mass) oz. (g)
ΔSCF 1 3/4 -12	M98640300	OEMXT 3/4	3.25 (83)	1.94 (49,3)	.88 (22,4)	.25 (6,4)	.34 (8,6)	2.75 (70)	2.20 (56)	5/16 (8)	20.5 (638)
ΔSCF 2 1/2 -12	M98650300	OEMXT 1 1/8	4.25 (108)	2.47 (63)	1.00 (25,4)	.38 (9,7)	.34 (8,6)	3.50 (89)	2.95 (75)	5/16 (8)	39.8 (1 238)

Notes: 1. Locking set screw feature provided as standard. 2. Δ = Non-standard lead time items, contact ITT Enidine.

Adjustable Series